

VARIABLE WAA-WAA

I WOULD firstly like to recommend the excellent *Waa-Waa Pedal* circuit designed by B. H. Baily in PRACTICAL ELECTRONICS July 1968 issue. For anyone making this device I would like to suggest a useful addition.

By using the low frequency oscillator shown in Fig. 2, a continuous "waa-waa" effect can be produced at any desired speed.

The pedal controlled potentiometer VR2 in Mr. Baily's circuit is replaced by an *npn* silicon transistor, TR2, with its emitter connected to the negative line and its collector to the junction of C4 and C5. The base is connected to the output of the oscillator via a fixed 500kΩ resistor, R10, and a 1MΩ potentiometer (linear), VR3, which varies the effect from a "twangy" to a mellow "waa-waa". The capacitor C7 cuts out thump from the oscillator.

Component values are not critical and TR3 and TR4 can be almost any *npn* type, e.g., 2N1302. The transistor type for TR2 is more critical and a silicon type should be used, as the leakage current must be very small. If no meter is available to select a transistor with low leakage, complete the rest of the circuit first and then try several transistors to get best performance. Two types found suitable were BSY27 and BSY38.

The potentiometer VR4 varies the oscillator frequency from about 1 to 8Hz. It is connected so that it is turned fully anti-clockwise for minimum resistance, which then gives approximately linear frequency control.

The connections from C10 and C8 to C9 must be as direct as possible and not by wires longer than 2in.

M. P. R. Hamer,
Bath.

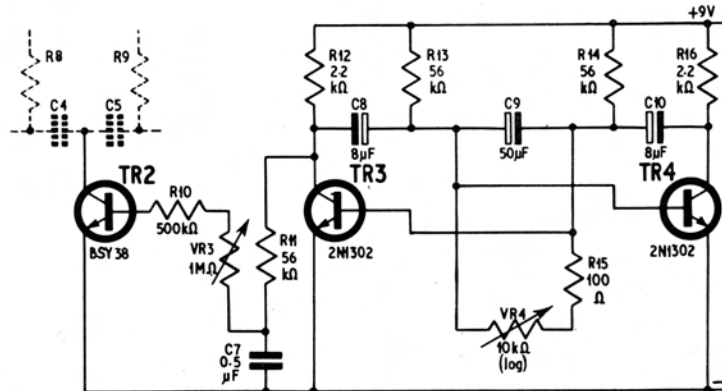
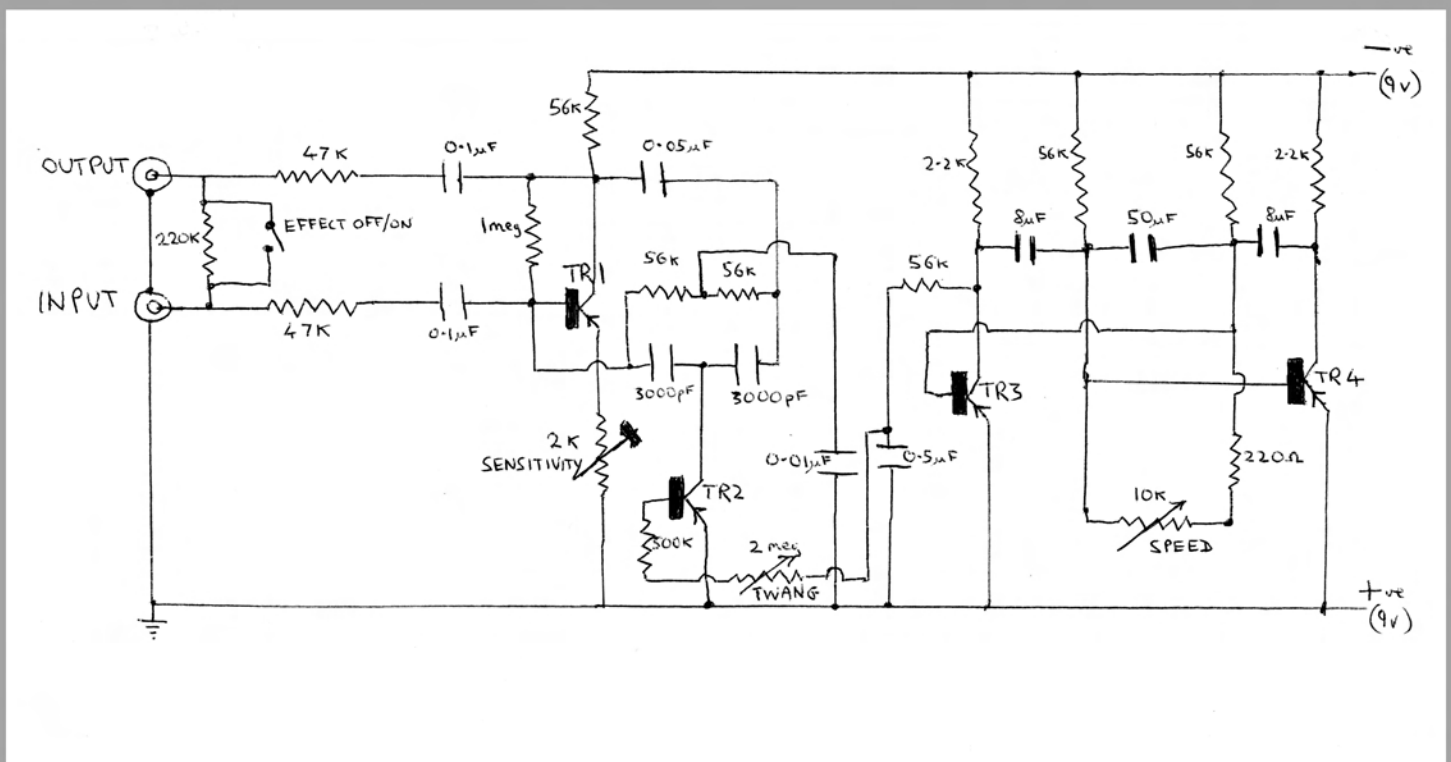


Fig. 2. Circuit diagram for variable "waa-waa" sound effect

Complete Waa-Waa Circuit Combining B. H. Bailey's Waa-Waa Pedal Circuit With Malcolm Hamer's Automatic-Effect Additions





VOX SOUND EQUIPMENT LIMITED

VOX WORKS · WEST STREET · ERITH · KENT

Telegrams: VOXSOUND DARTFORD

Telephone: ERITH 33080 (10 LINES)

RDC/UCD/CB

November 7th, 1968.

M.P. R. Hamer, Esq.,
20 Cedric Road,
Bath,
SOMERSET.

Dear Mr. Hamer,

With regard to your circuit for an Automatic Wah Wah, which you sent us last July, our Research Dept. has assessed this and we regret to say that at the moment, this does not fit in with our plans for our present range of goods.

However, I would like to thank you very much for giving us the opportunity of considering the potential of your idea.

Yours sincerely,

A handwritten signature in dark ink, appearing to read "R. D. Clark". The signature is fluid and cursive, with a long horizontal stroke at the end.

R. D. Clark.

SALES DIRECTOR.

Enc:

Directors: A. B. C. Black (Chairman); R. A. J. Hill (Deputy Chairman); C. Windiate (Managing Director); H. Buxton Browne, R. D. Clark, S. C. Ives, V. J. Bloom